

Letter plate 2003

FOR RAINPROOF INTERIOR AND EXTERIOR DOORS.

Door thickness range:

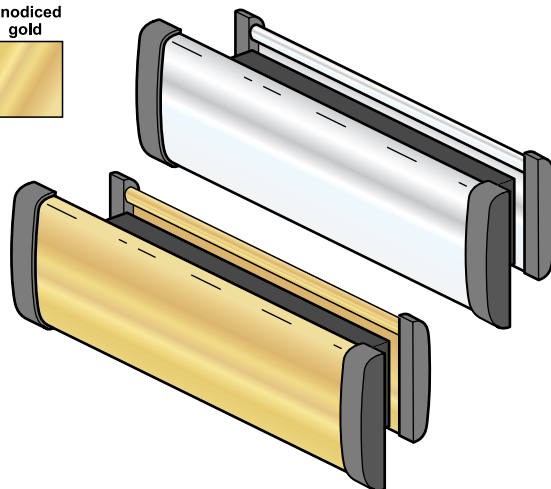
Adjustable

- This letter plate is suitable for both interior and exterior doors.
- Easy to cut out and install.
- This letter plate is manufactured in plastic and the surface finishes available are anodized aluminum or anodized gold.
- The elegant design makes this letter plate suitable for more exclusive settings.
- The screws are hidden and the materials are combined in a new and modern way.
- Can be adjusted for different door thickness.

Anodized
aluminum



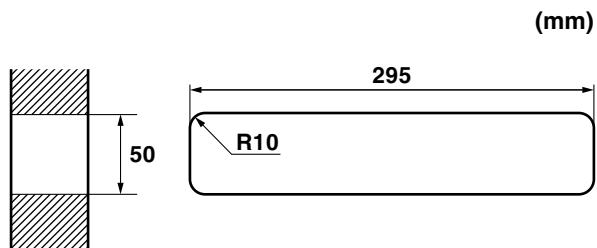
Anodized
gold



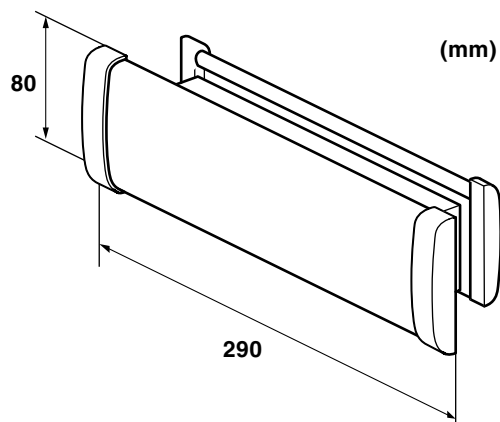
Part number

Surface finish	anodiced alumnium	anodiced gold
Part no.	4250	4251

Cut out drawing



Measurements



MENOVA

P.O. Box 92, SE-631 02 Eskilstuna, SWEDEN

Int. Tel: +46 16 13 75 05, Int. Fax: +46 16 51 18 03

E-mail: mail@menova.se

MENOVA
www.menova.se



For more information of MENOVA quality products, please contact us.

MENOVA

P.O. Box 92, SE-631 02 Eskilstuna, SWEDEN

Int. Tel: +46 16 13 75 05,

Int. Fax: +46 16 51 18 03

E-mail: mail@menova.se

www.menova.se

